

# 600V Instrument Current Transformers

The YUANXING CTT series of 600V instrument current transformers are designed for minimum phase angle error are required. Six different window openings and four different mounting styles along with numerous secondary ratios are available to meet most applications. This short form catalog shows an overview of our production. Contact factory for different sizes or style.



## FEATURES

- Low cost
- Wound cold rolling oriented silicon steel core, without air gap, uniform wound secondary winding, small flux leakage
- More than 10 size
- 5.0, 1.0Aac secondary output available

## APPLICATIONS

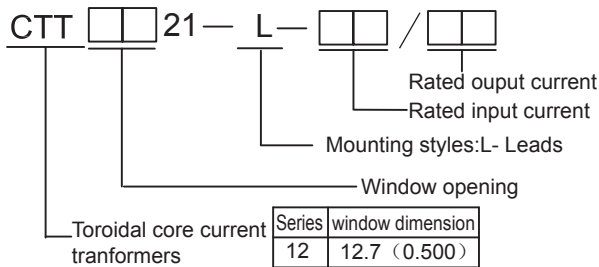
- Current, Power, Energy monitoring devices
- Relay protection device

## SPECIFICATIONS

- Shell material: PBT or ABS
- Operating Temperature: -25 to +55° C, -40 to +85° C optional
- Operating Voltage: 600Vac
- Frequency: 50-400 Hz
- RoHS compliant
- CE-approved
- Accuracy class: compliant IEC60044-1 Part 1 Current Transformers Class 0.2, 0.5, 1.0, 3.0

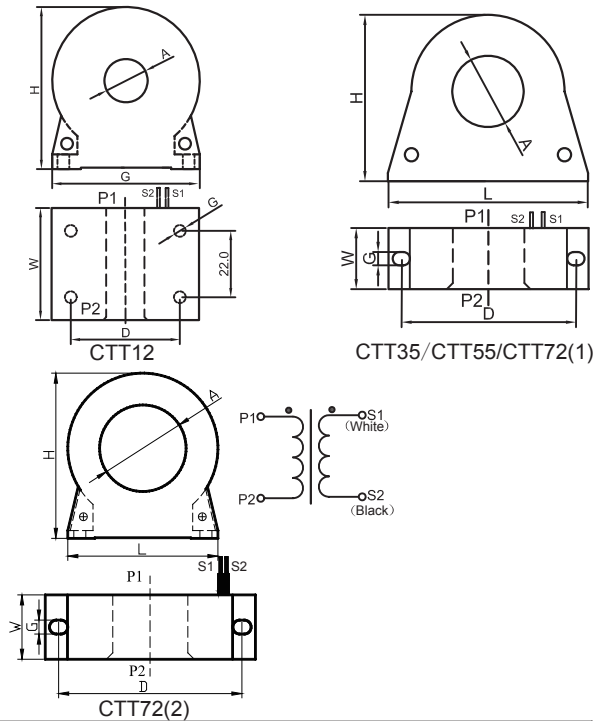


## PART NUMBER



Series	window dimension
12	12.7 (0.500)
35	35 (1.378)
45	45 (1.772)
50	50 (1.969)
55	55 (2.165)
72	72 (2.835)

## OUTLINE DRAWING



## PARAMETER

WINDOW OPENING SIZE A	SERIES	DIMENSIONS(mm/inch)					IEC60044-1、GB1208-1997 COMPLIANT @ 50/60Hz						
		L (Lenth)	W (Width)	H (High)	D (Pitch)	G	turn ratio	number of turns for primary	2.5VA	5VA	12.5VA	22.5VA	50VA
12.7 (0.5)	12	50.0 (1.969)	38.0 (1.496)	55.0 (2.165)	40.0 (1.575)	4.0 (0.158)	25:5	3	3.0				
							30:5	3	3.0				
							40:5	2	3.0				
							50:5	2	1.0				
							60:5	1	3.0				
							75:5	1	3.0				
							80:5	1	3.0				
							100:5	1	1.0				
							120:5	1	1.0				
							125:5	1	1.0				
							150:5	1	1.0				
							200:5	1	1.0	1.0			
250:5	1	1.0	1.0										
300:5	1	1.0	1.0	3.0									

**SHANDONG YUANXING Electronics Co.,Ltd.**

Phone: +86-533-381-8450  
Fax: +86-533-381-8724

NO.39, QIXIN AVENUE, ZHANGDIAN,  
ZIBO, SHANDONG, CHINA 255095

[www.yuanxing.net](http://www.yuanxing.net)  
[sales@yuanxing.net](mailto:sales@yuanxing.net)



WINDOW OPENING SIZE A	SERIES	DIMENSIONS(mm)					IEC60044-1、GB1208-1997COMPLIANT @ 50/60Hz								
		L (Lenth)	W (Width)	H (High)	D (Pitch)	G	turn ratio	number of turns for primary	2.5VA	5VA	12.5VA	22.5VA	50VA		
35.0 (1.378)	35	98.5 (3.878)	30.0 (1.181)	80.0 (3.150)	85.5 (3.366)	6.0 (0.236)	15:5	5	3.0	3.0					
							20:5	4	3.0	3.0					
							25:5	3	3.0	3.0					
							30:5	3	1.0	3.0					
							40:5	2	3.0	3.0					
							50:5	2	1.0	3.0					
							60:5	2	1.0	1.0					
							75:5	1	3.0						
							80:5	1	3.0						
							100:5	1	1.0	3.0					
							120:5	1	1.0	1.0					
							125:5	1	1.0	1.0					
							150:5	1	0.5	1.0	3.0				
							200:5	1	0.5	1.0	3.0				
							250:5	1	0.2	0.5	1.0				
300:5	1	0.2	0.2	0.5	1.0										
400:5	1	0.2	0.2	0.5	1.0	3.0									
500:5	1	0.2	0.2	0.2	1.0	3.0									
45.0 (1.772)	45	120.0 (4.724)	36.0 (1.417)	101.5 (3.996)	98.0 (3.858)	5.0 (0.197)	100:5	1	3.0						
							150:5	1	3.0	3.0					
							200:5	1	1.0	1.0					
							250:5	1	0.5	1.0	3.0				
							300:5	1	0.5	0.5	1.0				
							400:5	1	0.5	0.5	1.0	1.0			
							500:5	1	0.2	0.5	0.5	1.0			
							600:5	1	0.2	0.2	0.5	0.5			
							750:5	1	0.2	0.2	0.5	0.5			
							800:5	1	0.2	0.2	0.5	0.5			
1000:5	1	0.2	0.2	0.5	0.5										
1200:5	1	0.2	0.2	0.2	0.5										
55.0 (2.165)	55	150.0 (5.906)	36.0 (1.417)	126.0 (4.961)	138.0 (5.433)	5.5 (0.217)	100:5	1	3.0						
							150:5	1	1.0	3.0					
							200:5	1	0.5	1.0					
							250:5	1	0.5	1.0	1.0				
							300:5	1	0.5	0.5	1.0	3.0			
							400:5	1	0.2	0.2	0.5	1.0			
							500:5	1	0.2	0.2	0.5	1.0			
							600:5	1	0.2	0.2	0.5	0.5	1.0		
							750:5	1	0.2	0.2	0.5	0.5	1.0		
							800:5	1	0.2	0.2	0.5	0.5	1.0		
							1000:5	1	0.2	0.2	0.5	0.5	1.0		
							1200:5	1	0.2	0.2	0.2	0.5	0.5		
							1500:5	1	0.2	0.2	0.2	0.2	0.5		
1600:5	1	0.2	0.2	0.2	0.2	0.5									
2000:5	1	0.2	0.2	0.2	0.2	0.5									

**SHANDONG YUANXING Electronics Co.,Ltd.**

 Phone: +86-533-381-8450  
 Fax: +86-533-381-8724

 NO.39, QIXIN AVENUE, ZHANGDIAN,  
 ZIBO, SHANDONG, CHINA 255095

[www.yuanxing.net](http://www.yuanxing.net)  
[sales@yuanxing.net](mailto:sales@yuanxing.net)



WINDOW OPENING SIZE A	SERIES	DIMENSIONS(mm)					IEC60044-1、GB1208-1997COMPLIANT @ 50/60Hz						
		L (Lenth)	W (Width)	H (High)	D (Pitch)	G	turn ratio	number of turns for primary	2.5VA	5VA	12.5VA	22.5VA	50VA
72.0 (2.835)	72(1)	175.0 (6.900)	44.0 (1.732)	150.0 (5.906)	154.0 (6.063)	7.0 (0.276)	100:5	1	1.0				
							150:5	1	1.0				
							200:5	1	1.0				
							250:5	1	1.0				
							300:5	1	0.5	1.0	1.0		
							400:5	1	0.2	0.5	1.0	1.0	
	72(2)	125.0 (4.921)	30.0 (1.181)	140.0 (5.512)	145.0 (5.709)	9.0 (0.354)	500:5	1	0.2	0.2	0.5	1.0	3.0
							600:5	1	0.2	0.2	0.5	1.0	1.0
							750:5	1	0.2	0.2	0.2	0.5	1.0
							800:5	1	0.2	0.2	0.2	0.5	1.0
							1000:5	1	0.2	0.2	0.2	0.5	0.5
							1200:5	1	0.2	0.2	0.2	0.5	0.5
							1500:5	1	0.2	0.2	0.2	0.5	0.5
							1600:5	1	0.2	0.2	0.2	0.5	0.5
							2000:5	1	0.2	0.2	0.2	0.2	0.2
							2500:5	1	0.2	0.2	0.2	0.2	0.2
3000:5	1	0.2	0.2	0.2	0.2	0.2							